

**HANDMADE  
KITCHENS**  
By Shaker Wholesale

Excellence made affordable

SHAKER WHOLESAL E CABIN ETRY CATALOGUE

{[Click for more...](#)}

# HANDMADE KITCHENS

By Shaker Wholesale

Welcome to the full cabinetry range from Shaker Wholesale

BASE CABINETS • WALL CABINETS • TALL CABINETS

This catalogue presents all of our standard cabinet types. Base, Wall, and Tall — each designed with our signature “In Frame” Shaker style and constructed using solid hardwood frames and oak-veneered carcasses.

Whether you’re planning a compact galley kitchen or a full-scale open-plan layout, these pages include every unit you need to design a fully functional, beautifully crafted kitchen.

#### Each product entry includes:

- Cabinet dimensions and available configurations
- Door and drawer layouts
- Fitment and installation notes where relevant

All cabinets are manufactured in our own facility, finished to order, and delivered fully assembled, ready for installation. For full details on construction, materials, and comparative pricing, please refer to our Brochure.

#### Choose a Colour That’s Right for You

All of our cabinetry is hand-painted in your choice of finish, with 14 beautifully curated colours available as standard — included in our published pricing at no extra cost. These shades have been carefully selected to complement both classic and contemporary interiors, and most customers find their perfect match within this palette.

<https://shakerwholesale.co.uk/our-cabinet-colours/>

For those looking to personalise further, we also offer a **bespoke colour option**. You can choose from over **1,000 colours** in the Caparol or RAL K7 ranges, giving you near-limitless design freedom. If you choose a bespoke colour, a flat **additional charge of £500 + VAT** will apply to cover custom factory spraying and post-installation final finishing.



{Click for introduction & contents...}

CONTENTS: Please use the menu above to navigate the catalogue

## Key Features of Our Cabinetry



### Traditional Shaker Style:

Designed with a classic Shaker aesthetic, offering timeless appeal and functionality. The cabinet frames extend directly to the floor and are scribed in during installation. Each cabinet includes its own plinth.



### Carcasses:

Supplied Rigid, pre-assembled and glued.

- Carcass frames made from 25mm solid hardwood.
- Carcasses constructed from 18mm Oak Veneered MDF board with a clear matt surface finish.
- Shelf supports feature sturdy 7mm pins with mounting nuts.



### Drawers:

- 15mm dovetail-jointed solid oak drawers with a 9mm plywood veneer base.
- Each drawer is equipped with Blum tandem full-extension, undermount soft-close runners, capable of supporting up to 35 kg of weight.



### Doors, Frames, Plinths, Cornice and Panels:

- Doors are made from 25mm thick solid hardwood.
- Door centre panels are moisture-resistant MDF.
- Plinths are made from 17mm moisture-resistant MDF.
- Our cornice is a solid hardwood.
- All our panels are 17mm thick and made from moisture resistant MDF



### Finishing:

- Four to six coats of paint are applied for a durable, long-lasting finish.
- Undercoated with a water-based UV coating, followed by a sprayed water-based undercoat.
- The final topcoat is applied after installation. Find out more about our commitment to ensure healthy environments for paint application at:

<https://www.ul.com/services/ul-greenguard-certification>



### Cabinet Design:

- Features an 18mm flying end on the frames, allowing panels to be added to each cabinet, with the option to trim if needed.
- Frames are easily attached to the carcasses using pocket hole screws, ensuring a clean and sturdy assembly.



### Hardware:

- Hafele Axilo adjustable legs.
- 6-8kg magnet doorstops provide a secure close.
- Steel ball bearing butt hinges.



### Packaging:

- All items are boxed and labelled with 5-ply cardboard and reinforced corners, ensuring maximum protection during transit and handling.

{[Click for the Catalogue...](#)}

### Cabinet Sizing & Bespoke Widths

Our cabinetry is designed to offer flexibility. Most cabinets are available in a wide range of standard widths, typically in 50mm increments — for example, from 300mm to 750mm.

Where appropriate, certain cabinet types are also offered in 10mm increments to allow even greater design precision. We are usually able to accommodate this as part of our factory specification. Just let us know your requirements, and we'll confirm what's possible.

We aim to combine the convenience of a structured range with the flexibility to meet the individual needs of your kitchen design.

**All prices INCLUDE VAT**



# Single Door Base Cabinet

SKU: WP001

£250.00

This traditional single-door base cabinet offers timeless Shaker styling with flexible storage inside. Choose left or right hinge to suit your kitchen layout, with an adjustable shelf included as standard.

Height (mm)	Depth (mm)	Available widths (mm)*		SKU**	Price (Inc VAT)
		From	To		
880	600	300	680	WP001	£250.00
Increments 10mm					



\* Available widths: Choose any width required, within the given width range, to the nearest 10mm.

\*\* Cabinet SKU number: The final SKU number of the cabinet is decided by the requested width. EG: WP001/550

How is this cabinet built? For full details on our cabinet build specification please refer to the "Key Features Of Our Cabinetry" page.



## Half Depth Single Door Base Cabinet

SKU: WP001HD

£250.00

Designed for slimmer spaces or service runs, this compact single-door unit offers the same timeless Shaker detailing in a reduced depth format. Supplied with one adjustable shelf and available left or right hung to suit your layout.

Height (mm)	Depth (mm)	Available widths (mm)*		SKU**	Price (Inc VAT)
		From	To		
880	300	300	680	WP001HD	£250.00
Increments 10mm					



\* Available widths: Choose any width required, within the given width range, to the nearest 10mm.

\*\* Cabinet SKU number: The final SKU number of the cabinet is decided by the requested width. EG: WP001HD/370

How is this cabinet built? For full details on our cabinet build specification please refer to the [“Key Features Of Our Cabinetry”](#) page.



## Double Door Base Cabinet

SKU: WP002

£480.00

Beautifully balanced and built to last, this classic Shaker-style base unit features twin doors and a spacious fixed shelf inside. Ideal for everyday kitchen storage, it's available in your chosen width to suit your layout perfectly.

Height (mm)	Depth (mm)	Available widths (mm)*		SKU**	Price (Inc VAT)
		From	To		
880	600	700	1200	WP002	£480.00
Increments 10mm					



\* Available widths: Choose any width required, within the given width range, to the nearest 10mm.

\*\* Cabinet SKU number: The final SKU number of the cabinet is decided by the requested width. EG: WP002/800

How is this cabinet built? For full details on our cabinet build specification please refer to the ["Key Features Of Our Cabinetry"](#) page.



# Half Depth Double Door Base Cabinet

SKU: WP002HD

£480.00

Perfect for narrow or utility spaces, this reduced-depth cabinet offers the same elegant Shaker styling with twin doors and a single adjustable shelf inside. A practical solution for streamlined layouts without compromising on looks.

Height (mm)	Depth (mm)	Available widths (mm)*		SKU**	Price (Inc VAT)
		From	To		
880	300	700	1200	WP002HD	£480.00
Increments 10mm					



\* Available widths: Choose any width required, within the given width range, to the nearest 10mm.

\*\* Cabinet SKU number: The final SKU number of the cabinet is decided by the requested width. EG: WP00HD/800

How is this cabinet built? For full details on our cabinet build specification please refer to the ["Key Features Of Our Cabinetry"](#) page.



# Blank End Corner Base Cabinet (LEFT)

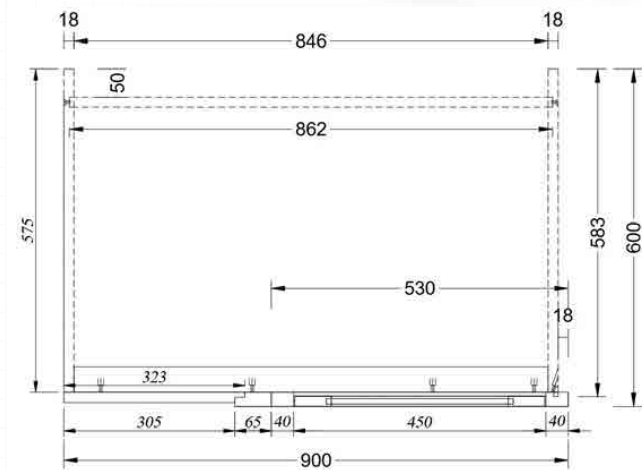
SKU: WP003L

£390.00 or £390.00 plus Magic Corner

A practical corner solution with classic Shaker styling. This cabinet is designed for a left-hand return and can be specified as standard or upgraded with a Magic Corner pull-out, offering effortless access to deep, hidden storage.

Magic Corner upgrade is charged as an additional cost to the cabinet price depending on choice of Magic Corner.

Height (mm)	Depth (mm)	Width	SKU	Price (Inc VAT)
880	600	900	WP003L	£390.00
880	600	900	WP003LMC	£390.00 + MC cost



Each visible door and frame is 530mm wide

How is this cabinet built? For full details on our cabinet build specification please refer to the "Key Features Of Our Cabinetry" page.



# Blank End Corner Base Cabinet (RIGHT)

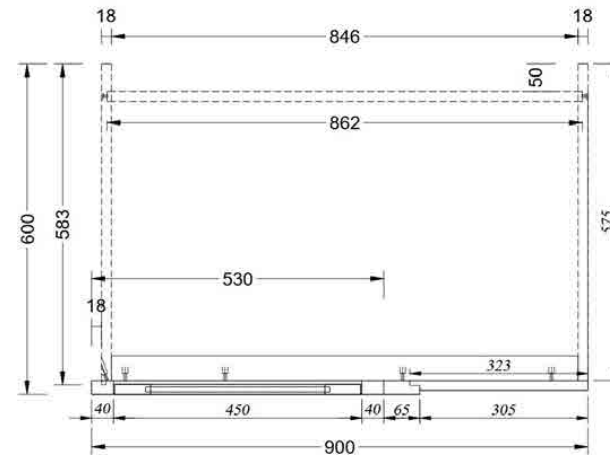
SKU: WP004R

£390.00 or £390.00 plus Magic Corner

A practical corner solution with classic Shaker styling. This cabinet is designed for a right-hand return and can be specified as standard or upgraded with a Magic Corner pull-out, offering effortless access to deep, hidden storage.

Magic Corner upgrade is charged as an additional cost to the cabinet price depending on choice of Magic Corner.

Height (mm)	Depth (mm)	Width	SKU	Price (Inc VAT)
880	600	900	WP004R	£390.00
880	600	900	WP004RMC	£390.00 + MC cost



Each visible door and frame is 530mm wide

How is this cabinet built? For full details on our cabinet build specification please refer to the "Key Features Of Our Cabinetry" page.



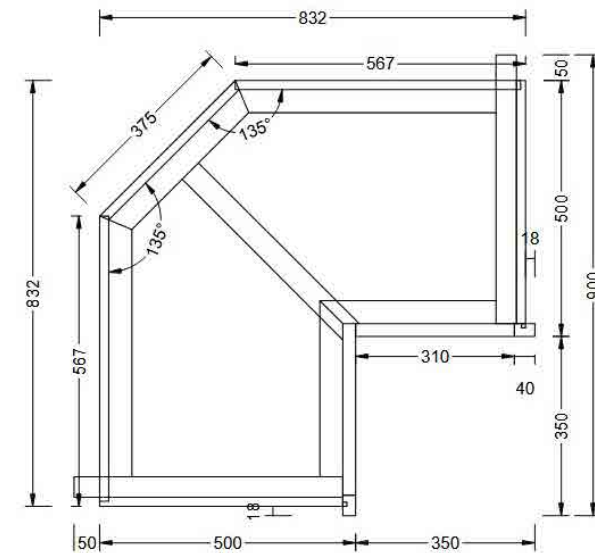
# Bi Fold Door Corner Base Unit (LEFT)

SKU: WP007L

£450.00

A clever corner solution featuring hinged bi-fold doors that open wide for easy access to the full interior. Finished in our classic in-frame Shaker style and supplied with a fixed shelf, it's both practical and beautifully built.

Height (mm)	Depth (mm)	Width	SKU	Price (Inc VAT)
880	600	950	WP007L	£450.00



Each visible door and frame is 350mm wide

How is this cabinet built? For full details on our cabinet build specification please refer to the "Key Features Of Our Cabinetry" page.



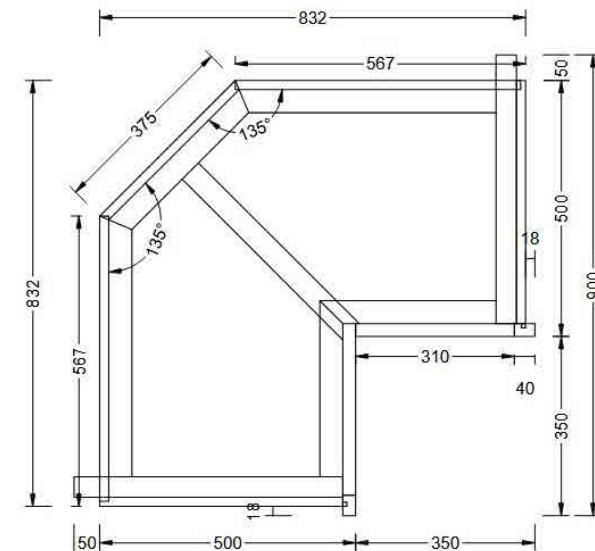
# Bi Fold Door Corner Base Unit (RIGHT)

SKU: WP007R

£450.00

A clever corner solution featuring hinged bi-fold doors that open wide for easy access to the full interior. Finished in our classic in-frame Shaker style and supplied with a fixed shelf, it's both practical and beautifully built.

Height (mm)	Depth (mm)	Width	SKU	Price (Inc VAT)
880	600	950	WP007R	£450.00



Each visible door and frame is 350mm wide

How is this cabinet built? For full details on our cabinet build specification please refer to the "Key Features Of Our Cabinetry" page.



## Double Bin Unit

**SKU: WP008**

**£450.00**

A neat and hygienic waste solution, this cabinet conceals two 32-litre soft-close bins behind our Shaker door. Ideal for recycling or general waste, it blends seamlessly into your kitchen while keeping things tidy behind the scenes.

Height (mm)	Depth (mm)	Width	SKU	Price (Inc VAT)
880	600	450	WP008	£450.00



How is this cabinet built? For full details on our cabinet build specification please refer to the [“Key Features Of Our Cabinetry”](#) page.



## Double Bin Unit

SKU: WP009

£450.00

With two generous 40-litre bins neatly tucked behind the classic Shaker door, this unit is perfect for managing waste and recycling discreetly. A smooth, soft-close mechanism ensures quiet operation and seamless day-to-day use.

Height (mm)	Depth (mm)	Width	SKU	Price (Inc VAT)
880	600	600	WP009	£450.00



How is this cabinet built? For full details on our cabinet build specification please refer to the [“Key Features Of Our Cabinetry”](#) page.



## Under Counter Oven Housing Single Oven or Microwave/Warming Drawer Unit

SKU: WP016

£250.00

Designed to accommodate a single oven, microwave or warming drawer, this sturdy base unit provides a smart, built-in look beneath your worktop. Framed in timeless Shaker styling, it blends beautifully into any kitchen scheme.

Height (mm)	Depth (mm)	Width	SKU	Price (Inc VAT)
880	600	680	WP016	£250.00



How is this cabinet built? For full details on our cabinet build specification please refer to the [“Key Features Of Our Cabinetry”](#) page.



## Under Counter Microwave Housing with drawer below microwave oven

SKU: WP018

£290.00

A practical and stylish unit designed to house a microwave at worktop height, with a convenient storage drawer beneath. Finished in classic in-frame Shaker style, it keeps appliances tidy while adding extra accessible storage.

Height (mm)	Depth (mm)	Width	SKU	Price (Inc VAT)
880	600	680	WP018	£290.00



How is this cabinet built? For full details on our cabinet build specification please refer to the [“Key Features Of Our Cabinetry”](#) page.



## Belfast Sink Cabinet SINGLE

SKU: WP021S

£435.00

Perfectly sized for a traditional single Belfast sink, this cabinet features an open-front design for straightforward installation and a pair of doors below for practical under-sink storage. A refined blend of classic form and everyday function.

Height (mm)	Depth (mm)	Width	SKU	Price (Inc VAT)
880	600	680	WP021S	£435.00



How is this cabinet built? For full details on our cabinet build specification please refer to the [“Key Features Of Our Cabinetry”](#) page.



## Belfast Sink Cabinet DOUBLE

SKU: WP021D

£435.00

Designed for a classic double Belfast sink, this wider cabinet features an open-front construction and two doors for generous under-sink storage. A timeless choice that brings elegance and utility together.

Height (mm)	Depth (mm)	Width	SKU	Price (Inc VAT)
880	600	890	WP021D	£435.00



How is this cabinet built? For full details on our cabinet build specification please refer to the [“Key Features Of Our Cabinetry”](#) page.



# Harvest End With 2 Drawers and 2 Slated Shelves

SKU: WP022A

£480.00

Designed for a classic double Belfast sink, this wider cabinet features an open-front construction and two doors for generous under-sink storage. A timeless choice that brings elegance and utility together.

Height (mm)	Depth (mm)	Available widths (mm)*		SKU**	Price (Inc VAT)
		From	To		
880	600	800	1200	WP022A	£480.00
Increments 50mm					



\* Available widths: Choose any width required, within the given width range, to the nearest 50mm.

\*\* Cabinet SKU number: The final SKU number of the cabinet is decided by the requested width. EG: WP022A/950

How is this cabinet built? For full details on our cabinet build specification please refer to the ["Key Features Of Our Cabinetry"](#) page.



## Base Cabinet With 1 Drawer and 1 Door

SKU: WP023

£350.00

A versatile base unit offering everyday practicality in a beautifully crafted Shaker style. With a soft-close drawer above and cupboard below with adjustable shelf, it's available with a left or right hinged door to suit your kitchen layout.

Height (mm)	Depth (mm)	Available widths (mm)*		SKU**	Price (Inc VAT)
		From	To		
880	600	450	680	WP023	£350.00
Increments 50mm					



\* Available widths: Choose any width required, within the given width range, to the nearest 50mm.

\*\* Cabinet SKU number: The final SKU number of the cabinet is decided by the requested width. EG: WP023/600

How is this cabinet built? For full details on our cabinet build specification please refer to the ["Key Features Of Our Cabinetry"](#) page.



## Base Cabinet With 1 Drawer and 2 Door

SKU: WP024A

£585.00

Combining classic Shaker elegance with everyday function, this cabinet features a wide soft-close drawer above and a two-door cupboard below with adjustable shelf. A flexible choice for kitchens needing both drawer and cupboard storage in one unit.

Height (mm)	Depth (mm)	Available widths (mm)*		SKU**	Price (Inc VAT)
		From	To		
880	600	700	1200	WP024A	£585.00
Increments 50mm					



\* Available widths: Choose any width required, within the given width range, to the nearest 50mm.

\*\* Cabinet SKU number: The final SKU number of the cabinet is decided by the requested width. EG: WP024A/850

How is this cabinet built? For full details on our cabinet build specification please refer to the [“Key Features Of Our Cabinetry”](#) page.



## 2 Drawer Pan Base Cabinet

SKU: WP025

£620.00

With deep, full-extension drawers, it's perfect for storing pots, pans, and larger kitchen essentials while maintaining clean Shaker aesthetics. A simple, functional solution that complements any kitchen layout.

Height (mm)	Depth (mm)	Available widths (mm)*		SKU**	Price (Inc VAT)
		From	To		
880	600	400	1200	WP025	£620.00
Increments 50mm					



\* Available widths: Choose any width required, within the given width range, to the nearest 50mm.

\*\* Cabinet SKU number: The final SKU number of the cabinet is decided by the requested width. EG: WP025/850

How is this cabinet built? For full details on our cabinet build specification please refer to the ["Key Features Of Our Cabinetry"](#) page.



## Cutlery and Utensil Drawer Inserts

SKU: WP0/CL and WP0/UT

£60.00

Crafted from oak-veneered board to perfectly complement our drawer interiors, these inserts are a practical and elegant solution for keeping kitchen drawers organised. The cutlery insert features slender sections ideal for knives, forks, and spoons, while the utensil insert includes wider compartments for bulkier kitchen tools. Designed to fit seamlessly into our internal drawers, they offer both order and accessibility in everyday use.



Utensil Insert SKU: WP0/UT



Cutlery Insert SKU: WP0/CL



## 2 Drawer Pan Base Cabinet With Internal Top Drawer

SKU: WP025ID

£650.00

A beautifully functional drawer unit designed for modern kitchen storage. The deep bottom drawer is ideal for pans and larger items, while the upper drawer front conceals a hidden internal drawer — perfect for cutlery or utensils. Clean Shaker lines meet thoughtful practicality.

Note: Top Drawer Cutlery Insert or Utensil Insert option

Height (mm)	Depth (mm)	Available widths (mm)*		SKU**	Price (Inc VAT)
		From	To		
880	600	400	1200	WP025ID	£650.00
Increments 50mm					



\* Available widths: Choose any width required, within the given width range, to the nearest 50mm.

\*\* Cabinet SKU number: The final SKU number of the cabinet is decided by the requested width. EG: WP025ID/650

How is this cabinet built? For full details on our cabinet build specification please refer to the [“Key Features Of Our Cabinetry”](#) page.



### 3 Drawer Base Cabinet

SKU: WP026

£600.00

This sleek three-drawer unit offers spacious, soft-close storage with a more contemporary look. Unlike our framed drawer styles, the fronts are smooth and unpanelled — ideal for blending Shaker cabinetry with modern design.

Note: Top Drawer Cutlery Insert or Utensil Insert option

Height (mm)	Depth (mm)	Available widths (mm)*		SKU**	Price (Inc VAT)
		From	To		
880	600	400	1200	WP026	£600.00
Increments 50mm					



\* Available widths: Choose any width required, within the given width range, to the nearest 50mm.

\*\* Cabinet SKU number: The final SKU number of the cabinet is decided by the requested width. EG: WP026/900

How is this cabinet built? For full details on our cabinet build specification please refer to the "Key Features Of Our Cabinetry" page.



## 4 Drawer Base Cabinet

**SKU: WP027**

**£615.00**

With four soft-close drawers and a clean, unpanelled front, this unit offers practical organisation in a simple, modern format. A great way to complement Shaker cabinetry with a more contemporary twist.

Note: Any Drawer Cutlery Insert or Utensil Insert option

Height (mm)	Depth (mm)	Available widths (mm)*		SKU**	Price (Inc VAT)
		From	To		
880	600	400	1200	WP027	£615.00
Increments 50mm					



\* Available widths: Choose any width required, within the given width range, to the nearest 50mm.

\*\* Cabinet SKU number: The final SKU number of the cabinet is decided by the requested width. EG: WP027/550

How is this cabinet built? For full details on our cabinet build specification please refer to the **“Key Features Of Our Cabinetry”** page.



## 4 Drawer Base Cabinet with 2 top drawers

SKU: WP027A

£690.00

A generous four-drawer unit featuring a practical twin-drawer layout at the top — ideal for cutlery, utensils or smaller kitchen essentials. The smooth, unpanelled fronts create a clean finish that pairs beautifully with modern or classic Shaker schemes.

Note: Top 2 Drawers Cutlery Insert or Utensil Insert option

Height (mm)	Depth (mm)	Available widths (mm)*		SKU**	Price (Inc VAT)
		From	To		
880	600	1000	1200	WP027A	£690.00
Increments 50mm					



\* Available widths: Choose any width required, within the given width range, to the nearest 50mm.

\*\* Cabinet SKU number: The final SKU number of the cabinet is decided by the requested width. EG: WP027A/1050

How is this cabinet built? For full details on our cabinet build specification please refer to the [“Key Features Of Our Cabinetry”](#) page.



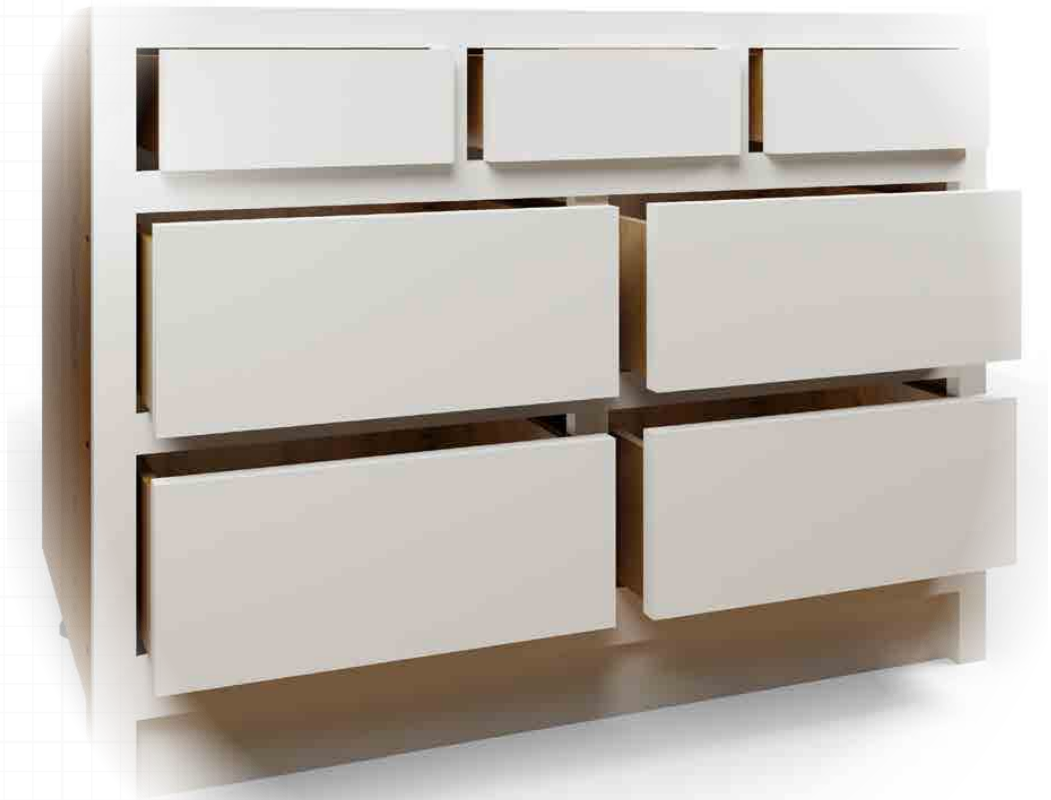
## 7 Drawer Chest

SKU: WP028

£1050.00

A beautifully balanced storage piece, this wide seven-drawer unit offers a mix of small and large drawers for maximum versatility. Whether used for cutlery, utensils or cookware, its clean-lined front and soft-close function make it as practical as it is elegant.

Height (mm)	Depth (mm)	Available widths (mm)*		SKU**	Price (Inc VAT)
		From	To		
880	600	1000	1200	WP028	£1050.00
Increments 50mm					



\* Available widths: Choose any width required, within the given width range, to the nearest 50mm.

\*\* Cabinet SKU number: The final SKU number of the cabinet is decided by the requested width. EG: WP028/1000

How is this cabinet built? For full details on our cabinet build specification please refer to the [“Key Features Of Our Cabinetry”](#) page.



## Base Wine Cabinet (with drawer)

SKU: WP017

£350.00

A stylish and practical solution for wine lovers, this 600mm base unit features a cross-shelf design for horizontal bottle storage, keeping your favourites within easy reach. The upper drawer adds extra functionality—ideal for corkscrews, coasters or bar accessories—while the oak interior and framed Shaker style bring elegance and warmth to any kitchen.

Height (mm)	Depth (mm)	Width	SKU**	Price (Inc VAT)
880	360	600	WP017	£350.00



\*\* Cabinet SKU number: The final SKU number of the cabinet is decided by the requested width. EG: WP0017/370

How is this cabinet built? For full details on our cabinet build specification please refer to the [“Key Features Of Our Cabinetry”](#) page.



# Base Cabinet Wine Rack 4 or 8 Bottle

SKU: WP031

£290.00

A stylish base cabinet option available in widths to accommodate either 4 or 8 bottles. With its open-fronted design and crafted oak compartments, it provides a practical and elegant storage solution for wine, oils, or decorative bottles. Perfect for breaking up runs of doors or drawers while adding visual interest and functionality at base level. Widths:

- 200mm (4 bottles)
- 300mm (8 bottles) with no centre stile
- 360mm (8 bottles) with centre stile

Height (mm)	Depth (mm)	Width	SKU	Price (Inc VAT)
880	360	200	WP031/200	£290.00
880	360	300	WP031/300	£290.00
880	360	360	WP031/360	£290.00



How is this cabinet built? For full details on our cabinet build specification please refer to the [“Key Features Of Our Cabinetry”](#) page.



## Tray and Chopping Board Storage Cabinets

SKU: WP030A

£330.00 & £390.00

A beautifully crafted cabinet designed to keep kitchen essentials tidy and close at hand. Featuring solid hardwood inserts, the 150mm version holds one tray and two chopping boards, while the 200mm version accommodates two trays and four boards. A clever use of space that blends seamlessly into your Shaker kitchen.

Height (mm)	Depth (mm)	Width	SKU**	Price (Inc VAT)
880	600	150	WP030A	£330.00
880	600	200	WP030A	£390.00



\*\* Cabinet SKU number: The final SKU number of the cabinet is decided by the requested width. EG: WP030A/200

How is this cabinet built? For full details on our cabinet build specification please refer to the [“Key Features Of Our Cabinetry”](#) page.



## Open Tray Storage Cabinet

SKU: WP030

£175.00

A streamlined open-fronted base cabinet designed for maximum flexibility in tight spaces. Whether used for baking trays, wine bottles, cookbooks or everyday essentials, this slim unit provides accessible storage with a clean, unfussy look. Available in 2 widths and finished in our signature Shaker style, it's an elegant solution for narrow gaps.

Height (mm)	Depth (mm)	Width	SKU**	Price (inc VAT)
880	600	150	WP030/150	£175.00
880	600	200	WP030/250	£175.00



\*\* Cabinet SKU number: The final SKU number of the cabinet is decided by the requested width. EG: WP030/250 or WP030/150

How is this cabinet built? For full details on our cabinet build specification please refer to the ["Key Features Of Our Cabinetry"](#) page.



## Full Height 22 Bottle Wine Rack

SKU: WP031/FH

£565.00

A tall and elegant statement piece, this full-height wine rack offers generous storage for up to 22 bottles. Each bottle sits securely in its own individual cubby, creating a striking display that brings both character and function to your kitchen. Designed to integrate seamlessly into your Shaker cabinetry, it's a perfect blend of traditional craftsmanship and everyday practicality.

Height (mm)	Depth (mm)	Width	SKU	Price (Inc VAT)
2150	360	360	WP031/FH	£565.00



How is this cabinet built? For full details on our cabinet build specification please refer to the ["Key Features Of Our Cabinetry"](#) page.



## Single Door Wall Cabinet

SKU: WP034

£250.00

A simple, versatile wall unit with a classic Shaker door and two adjustable shelves inside. Ideal for everyday storage, it's available in a wide variety of widths and the door can be hung left or right to suit your layout.

Height (mm)	Depth (mm)	Available widths (mm)*		SKU**	Price (Inc VAT)
		From	To		
780	380	300	680	WP034	£250.00
Increments 10mm					



\* Available widths: Choose any width required, within the given width range, to the nearest 10mm.

\*\* Cabinet SKU number: The final SKU number of the cabinet is decided by the requested width. EG: WP034/470

How is this cabinet built? For full details on our cabinet build specification please refer to the ["Key Features Of Our Cabinetry"](#) page.



## Single (Glazed) Wall Cabinet

SKU: WP035

£250.00

This wall-mounted unit features a glazed Shaker door — ideal for displaying glassware, crockery, or curated kitchen items. Fitted with adjustable shelves and available in a range of widths, it brings both storage and a light, open feel to your kitchen design.

Height (mm)	Depth (mm)	Available widths (mm)*		SKU**	Price (Inc VAT)
		From	To		
780	380	300	680	WP035	£250.00
Increments 10mm					



\* Available widths: Choose any width required, within the given width range, to the nearest 10mm.

\*\* Cabinet SKU number: The final SKU number of the cabinet is decided by the requested width. EG: WP035/510

How is this cabinet built? For full details on our cabinet build specification please refer to the [“Key Features Of Our Cabinetry”](#) page.



## Double door wall cabinet

SKU: WP036

£435.00

A practical wall unit with twin Shaker doors and two adjustable shelves. This cabinet offers generous storage and clean, balanced proportions — available in a range of widths to suit all kitchen sizes and layouts.

Height (mm)	Depth (mm)	Available widths (mm)*		SKU**	Price (Inc VAT)
		From	To		
780	380	700	1200	WP036	£435.00
Increments 10mm					



\* Available widths: Choose any width required, within the given width range, to the nearest 10mm.

\*\* Cabinet SKU number: The final SKU number of the cabinet is decided by the requested width. EG: WP036/750

How is this cabinet built? For full details on our cabinet build specification please refer to the [“Key Features Of Our Cabinetry”](#) page.



## Double door (glazed) wall cabinet

SKU: WP037

£435.00

This elegant wall unit features twin glazed Shaker doors — ideal for displaying glassware, crockery or statement pieces. With two adjustable shelves and a choice of widths, it offers style and storage in equal measure.

Height (mm)	Depth (mm)	Available widths (mm)*		SKU**	Price (Inc VAT)
		From	To		
780	380	700	1200	WP037	£435.00
Increments 10mm					



\* Available widths: Choose any width required, within the given width range, to the nearest 10mm.

\*\* Cabinet SKU number: The final SKU number of the cabinet is decided by the requested width. EG: WP037/850

How is this cabinet built? For full details on our cabinet build specification please refer to the [“Key Features Of Our Cabinetry”](#) page.



## Open shelf wall cabinet

SKU: WP038

£285.00

A flexible open-fronted unit ideal for cookbooks, everyday items, or decorative display. Supplied with two adjustable shelves, this cabinet adds both function and a relaxed, lived-in feel to your kitchen layout.

Height (mm)	Depth (mm)	Available widths (mm)*		SKU**	Price (Inc VAT)
		From	To		
780	380	300	1000	WP038	£285.00
Increments 10mm					



\* Available widths: Choose any width required, within the given width range, to the nearest 10mm.

\*\* Cabinet SKU number: The final SKU number of the cabinet is decided by the requested width. EG: WP038/730

How is this cabinet built? For full details on our cabinet build specification please refer to the [“Key Features Of Our Cabinetry”](#) page.



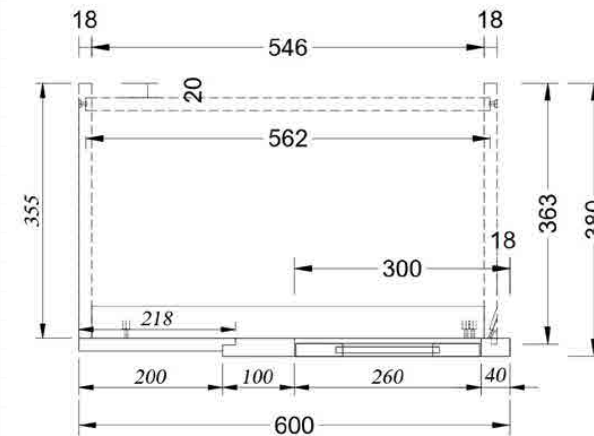
## Corner wall cabinet (LEFT)

SKU: WP038A/L

£415.00

Designed to optimise corner space, this unit features a single Shaker door and generous internal storage with one fixed shelf. Illustrated here is the LEFT HAND configuration. It works with a standard 80mm void for a seamless corner run.

Height (mm)	Depth (mm)	Width*	SKU**	Price (Inc VAT)
780	380	600	WP038A/L	£415.00



How is this cabinet built? For full details on our cabinet build specification please refer to the ["Key Features Of Our Cabinetry"](#) page.

Each visible door and frame is 340mm wide



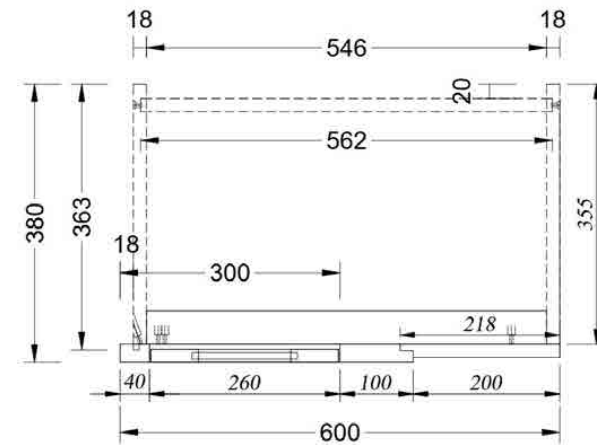
## Corner wall cabinet (RIGHT)

SKU: WP038A/R

£415.00

Designed to optimise corner space, this unit features a single Shaker door and generous internal storage with one fixed shelf. Illustrated here is the RIGHT HAND configuration. It works with a standard 80mm void for a seamless corner run.

Height (mm)	Depth (mm)	Width*	SKU**	Price (Inc VAT)
780	380	600	WP038A/R	£415.00



How is this cabinet built? For full details on our cabinet build specification please refer to the [“Key Features Of Our Cabinetry”](#) page.

Each visible door and frame is 340mm wide



## Wall mounted 4 or 8 bottle wine racks

SKU: WP039

£285.00

A neat, open-fronted rack designed to store either 4 or 8 bottles, depending on the cabinet width. Ideal for adding a touch of style and function to wall cabinet runs — perfect for wines, oils or decorative bottle storage.

Widths:

200mm (4 bottles)

300mm (8 bottles)

360mm (8 bottles) with centre stile

Height (mm)	Depth (mm)	Width*	SKU**	Price (Inc VAT)
780	380	200	WP039/200	£285.00
780	380	300	WP039/300	£285.00
780	380	360	WP039/360	£285.00



How is this cabinet built? For full details on our cabinet build specification please refer to the [“Key Features Of Our Cabinetry”](#) page.



## Wall Mounted Plate Rack

SKU: WP043

£495.00

Wall mounted plate rack. The middle dividing shelf can be ordered as an adjusted height to suit your needs for large and smaller plates. Available in varying heights and widths to suit.

Height (mm)	Depth (mm)	Available widths (mm)*		SKU**	Price (Inc VAT)
From		From	To		
450	380	300	800	WP043	£495.00
Increments 10mm					



\* Available widths: Choose any width required, within the given width range, to the nearest 10mm.

\*\* Cabinet SKU number: The final SKU number of the cabinet is decided by the requested width. EG: WP043/780

How is this cabinet built? For full details on our cabinet build specification please refer to the ["Key Features Of Our Cabinetry"](#) page.



## Flexibly Sized Top Box

SKU: WP040A

£410.00

Top boxes are a flexible solution for bridging gaps above American fridge freezers, closing the space between tall cabinets and ceiling lines, or finishing appliance runs. Supplied 350mm high, in a standard depth of 380mm, they are available in a range of widths— or can be made to bespoke sizes on request.

Common Uses: Above fridges, tall housings, appliance stacks, or to ceiling-finish 2150mm cabinets.

For non-standard sizes, speak to us about a made-to-measure option.

Height (mm)	Depth (mm)	Width (mm)*		SKU**	Price (Inc VAT)
		From	To		
350	380	630	930	WP040A	£410.00
Increments 10mm					



\* Available widths: Choose any width required, within the given width range, to the nearest 10mm.

\*\* Cabinet SKU number: The final SKU number of the cabinet is decided by the requested width. EG: WP040A/900

How is this cabinet built? For full details on our cabinet build specification please refer to the [“Key Features Of Our Cabinetry”](#) page.



## Extractor Housing or Top Box

**SKU: WP041**

**£430.00**

Designed to discreetly house a canopy or integrated extractor fan, this cabinet blends practical function with the clean, architectural lines of Shaker cabinetry.

Supplied at 490mm high and 380mm deep, it sits comfortably above a standard hob run and is available in a range of widths to suit most extractor models.

Though primarily intended for use above hobs, its compact dimensions also make it a popular choice for use as a top box — especially where a more uniform, minimal look is desired.

Need help configuring your extractor housing? Just ask — we're here to help.

Height (mm)	Depth (mm)	Width (mm)*		SKU**	Price (Inc VAT)
		From	To		
490	380	650	1200	WP041	£430.00
Increments 10mm					

\* Available widths: Choose any width required, within the given width range, to the nearest 10mm.

\*\* Cabinet SKU number: The final SKU number of the cabinet is decided by the requested width. EG: WP041/820

How is this cabinet built? For full details on our cabinet build specification please refer to the [“Key Features Of Our Cabinetry”](#) page.





## Wall mounted microwave housing

SKU: WP042

£285.00

A practical wall unit designed to house a standard microwave while maintaining a seamless Shaker look. The top-hinged lift-up door conceals useful storage, while the open lower section allows for easy microwave access and ventilation.

Height (mm)	Depth (mm)	Width*	SKU**	Price (Inc VAT)
780	380	680	WP042	£285.00



How is this cabinet built? For full details on our cabinet build specification please refer to the [“Key Features Of Our Cabinetry”](#) page.



## Wall-Mounted Boiler housing

SKU: WP045

£250.00

A smart, adaptable solution designed to discreetly conceal most kitchen boilers. This flexible wall-mounted cabinet allows for easy customisation during installation — one or both side panels can be removed by the fitter to accommodate pipework or tight wall spaces. Built with the same quality craftsmanship as the rest of our range, it offers a clean and cohesive finish, even around the trickiest areas of the kitchen.

Also available made-to-measure for bespoke boiler installations.

Height (mm)	Depth (mm)	Width (mm)*		SKU**	Price (Inc VAT)
		From	To		
780-1250	380-450	500	700	WP045	£250.00
Increments 10mm					

\* Available widths: Choose any width required, within the given width range, to the nearest 10mm.

\*\* Cabinet SKU number: The final SKU number of the cabinet is decided by the requested width. EG: WP045/650

How is this cabinet built? For full details on our cabinet build specification please refer to the [“Key Features Of Our Cabinetry”](#) page.





## Under Counter Oven Housing Single Oven or Microwave/Warming Drawer Unit

SKU: WP016

£250.00

Designed to accommodate a single oven, microwave or warming drawer, this sturdy base unit provides a smart, built-in look beneath your worktop. Framed in timeless Shaker styling, it blends beautifully into any kitchen scheme.

Height (mm)	Depth (mm)	Width	SKU	Price (Inc VAT)
880	600	680	WP016	£250.00



How is this cabinet built? For full details on our cabinet build specification please refer to the [“Key Features Of Our Cabinetry”](#) page.



## Under Counter Microwave Housing with drawer below microwave oven

SKU: WP018

£290.00

A practical and stylish unit designed to house a microwave at worktop height, with a convenient storage drawer beneath. Finished in classic in-frame Shaker style, it keeps appliances tidy while adding extra accessible storage.

Height (mm)	Depth (mm)	Width	SKU	Price (Inc VAT)
880	600	680	WP018	£290.00



How is this cabinet built? For full details on our cabinet build specification please refer to the [“Key Features Of Our Cabinetry”](#) page.



## Single Utility Doors for Free Standing Appliances

SKU: WP011 and WP011/FH

£145.00 – £315.00

Designed to conceal freestanding appliances such as washing machines or tumble dryers, undercounter and full-height utility doors with integrated plinths help maintain a seamless Shaker look across your cabinetry run. Simple, smart and perfectly aligned.

Height (mm)	Depth (mm)	Width	SKU	Price (Inc VAT)
880	25	680	WP011	£145.00
2150	25	680	WP011/FH	£315.00



How is this cabinet built? For full details on our cabinet build specification please refer to the [“Key Features Of Our Cabinetry”](#) page.



## Double Utility Doors for Free Standing Appliances

SKU: WP011/DD and WP011/FH/DD

£205.00 – £475.00

Ideal for concealing wider freestanding appliances such as side-by-side machines or large undercounter units, these double doors maintain the clean, balanced lines of your Shaker cabinetry. Integrated plinths ensure a continuous, built-in look across your kitchen run.

Height (mm)	Depth (mm)	Width	SKU	Price (Inc VAT)
880	25	800	WP011/DD	£205.00
2150	25	800	WP011/DD/FH	£475.00



How is this cabinet built? For full details on our cabinet build specification please refer to the [“Key Features Of Our Cabinetry”](#) page.



## Utility Doors for Integrated Appliances

SKU: WP012, WP014, WP015

£145.00

A flexible door panel designed to conceal built-in appliances behind a matching Shaker front. Available in three styles: standard for dishwashers, vented for integrated fridge/freezers, or non-vented for washing machines and dryers. A neat, coordinated finish for every appliance.

Height (mm)	Depth (mm)	Width	SKU	Price (Inc VAT)
880	18	450	WP012/450	£145.00
880	18	600	WP012/600	£145.00
880	18	600	WP014	£145.00
880	18	600	WP015	£145.00



### WP012

Dishwasher door top rail, door and plinth supplied separately for fixing to appliance as required.



### WP014

Supplied with vented plinth and suitable for fridge / freezer. Hinged LEFT or RIGHT.



### WP015

Non vented plinth suitable for washing machine, tumble dryer. Hinged LEFT or RIGHT

How is this cabinet built? For full details on our cabinet build specification please refer to the [“Key Features Of Our Cabinetry”](#) page.



## Extractor Housing or Top Box

**SKU: WP041**

**£430.00**

Designed to discreetly house a canopy or integrated extractor fan, this cabinet blends practical function with the clean, architectural lines of Shaker cabinetry.

Supplied at 490mm high and 380mm deep, it sits comfortably above a standard hob run and is available in a range of widths to suit most extractor models.

Though primarily intended for use above hobs, its compact dimensions also make it a popular choice for use as a top box — especially where a more uniform, minimal look is desired.

Need help configuring your extractor housing? Just ask — we're here to help.

Height (mm)	Depth (mm)	Width (mm)*		SKU**	Price (Inc VAT)
		From	To		
490	380	650	1200	WP041	£430.00
Increments 10mm					

\* Available widths: Choose any width required, within the given width range, to the nearest 10mm.

\*\* Cabinet SKU number: The final SKU number of the cabinet is decided by the requested width. EG: WP041/820

How is this cabinet built? For full details on our cabinet build specification please refer to the **"Key Features Of Our Cabinetry"** page.





## Wall mounted microwave housing

SKU: WP042

£285.00

A practical wall unit designed to house a standard microwave while maintaining a seamless Shaker look. The top-hinged lift-up door conceals useful storage, while the open lower section allows for easy microwave access and ventilation.

Height (mm)	Depth (mm)	Width*	SKU**	Price (Inc VAT)
780	380	680	WP042	£285.00



How is this cabinet built? For full details on our cabinet build specification please refer to the [“Key Features Of Our Cabinetry”](#) page.



## Wall-Mounted Boiler housing

SKU: WP045

£250.00

A smart, adaptable solution designed to discreetly conceal most kitchen boilers. This flexible wall-mounted cabinet allows for easy customisation during installation — one or both side panels can be removed by the fitter to accommodate pipework or tight wall spaces. Built with the same quality craftsmanship as the rest of our range, it offers a clean and cohesive finish, even around the trickiest areas of the kitchen.

Also available made-to-measure for bespoke boiler installations.

Height (mm)	Depth (mm)	Width (mm)*		SKU**	Price (Inc VAT)
		From	To		
780-1250	380-450	500	700	WP045	£250.00
Increments 10mm					

\* Available widths: Choose any width required, within the given width range, to the nearest 10mm.

\*\* Cabinet SKU number: The final SKU number of the cabinet is decided by the requested width. EG: WP045/650

How is this cabinet built? For full details on our cabinet build specification please refer to the [“Key Features Of Our Cabinetry”](#) page.





## Full height fridge housing

SKU: WP050

£880.00

A tall, single-door cabinet designed to accommodate full-height integrated fridges. Supplied with vented plinths to ensure proper airflow and available with either a left- or right-hand hinged door for flexible installation.

Height (mm)	Depth (mm)	Width*	SKU**	Price (Inc VAT)
2150	600	680	WP050	£880.00



How is this cabinet built? For full details on our cabinet build specification please refer to the [“Key Features Of Our Cabinetry”](#) page.



## Full Height 50/50 Fridge Freezer Housing

SKU: WP051

£880.00

Designed to accommodate integrated 50/50 split fridge freezer appliances, this tall cabinet includes vented plinths for airflow and a two-door Shaker front to align with the appliance layout. Left or right door hinging options allow flexibility during installation.

Height (mm)	Depth (mm)	Width*	SKU**	Price (Inc VAT)
2150	600	680	WP051	£880.00



How is this cabinet built? For full details on our cabinet build specification please refer to the [“Key Features Of Our Cabinetry”](#) page.



## Full Height 70/30 Fridge Freezer Housing

SKU: WP052

£880.00

This tall cabinet is designed to house integrated fridge freezer units with a 70/30 split.

It features a matching two-door Shaker front, vented plinths for proper airflow, and the flexibility of left or right door hinging for easy integration into any kitchen layout.

Height (mm)	Depth (mm)	Width*	SKU**	Price (Inc VAT)
2150	600	680	WP052	£880.00



How is this cabinet built? For full details on our cabinet build specification please refer to the [“Key Features Of Our Cabinetry”](#) page.



## Full Height Freezer Housing

SKU: WP053

£880.00

A tall cabinet specifically designed to house integrated full-height freezers.

Supplied with vented plinths for proper ventilation and a single Shaker door, hinged left or right to suit your layout.

Height (mm)	Depth (mm)	Width*	SKU**	Price (Inc VAT)
2150	600	680	WP053	£880.00



How is this cabinet built? For full details on our cabinet build specification please refer to the [“Key Features Of Our Cabinetry”](#) page.



## Full Height Single Oven Housing

SKU: WP054A

£880.00

Designed to house a standard single oven at mid-height, this tall unit features a single door cupboard above and two Shaker-fronted drawers below for additional storage.

Available with left or right-hinged upper door to suit your layout.

Height (mm)	Depth (mm)	Width*	SKU**	Price (Inc VAT)
2150	600	680	WP054A/L	£880.00
2150	600	680	WP054A/R	£880.00



How is this cabinet built? For full details on our cabinet build specification please refer to the [“Key Features Of Our Cabinetry”](#) page.



## Full Height 2 x Single Ovens Housing

SKU: WP055A

£880.00

Designed to house two single ovens in a vertical stack, this tall cabinet includes a 40mm rail between apertures, a top-hinged cupboard above for additional storage, and a deep drawer below for baking trays or ovenware.

Height (mm)	Depth (mm)	Width*	SKU**	Price (Inc VAT)
2150	600	680	WP055A	£880.00



How is this cabinet built? For full details on our cabinet build specification please refer to the [“Key Features Of Our Cabinetry”](#) page.



## Full Height Single Oven & Microwave Housing

SKU: WP056

£880.00

A tall cabinet designed to house a single oven and built-in microwave, separated by a 40mm rail.

It features a top-hinged cupboard above for storage, a mid-height microwave aperture, and a single deep drawer below with a classic Shaker front.

Height (mm)	Depth (mm)	Width*	SKU**	Price (Inc VAT)
2150	600	680	WP056	£880.00



How is this cabinet built? For full details on our cabinet build specification please refer to the [“Key Features Of Our Cabinetry”](#) page.



## Single Door Larder Unit

SKU: WP058

£690.00

A versatile tall cabinet fitted with a fixed centre shelf and 4 adjustable shelves, ideal for dry goods, crockery or utility storage. Available in a wide range of widths and supplied with either a left- or right-hand hinged Shaker door for flexibility in planning.

Height (mm)	Depth (mm)	Available widths (mm)*		SKU**	Price (Inc VAT)
		From	To		
2150	600	300	680	WP058	£690.00
Increments 10mm					



\* Available widths: Choose any width required, within the given width range, to the nearest 10mm.

\*\* Cabinet SKU number: The final SKU number of the cabinet is decided by the requested width. EG: WP058/590

How is this cabinet built? For full details on our cabinet build specification please refer to the [“Key Features Of Our Cabinetry”](#) page.



## Single Door Larder Unit - Pull Out Wire Baskets

**SKU: WP058MC**

**£690.00 + Cost of Wire Basket Solution**

A practical tall storage cabinet fitted with a full-height pull-out frame with chrome wire baskets — ideal for dry goods, bottles, and easy-access pantry storage.

We offer a wide variety of wire basket solutions, the additional cost of your wire basket choice will be added to the cabinet cost at the time of ordering.

Height (mm)	Depth (mm)	Available widths (mm)*		SKU**	Price (Inc VAT)
		From	To		
2150	600	300	650	WP058MC	£690.00 + baskets
Increments 50mm					

\* Available widths: Choose any width required, within the given width range, to the nearest 10mm.

\*\* Cabinet SKU number: The final SKU number of the cabinet is decided by the requested width. EG: WP058MC/450

How is this cabinet built? For full details on our cabinet build specification please refer to the **“Key Features Of Our Cabinetry”** page.





## Double Door Larder Unit

SKU: WP059

£995.00

A classic double-door tall larder with generous internal space. Fitted with a fixed centre shelf and four adjustable shelves for versatile storage. Perfect for dry goods, cookware, or pantry organisation.

Height (mm)	Depth (mm)	Available widths (mm)*		SKU**	Price (Inc VAT)
		From	To		
2150	600	700	1200	WP059	£995.00
Increments 10mm					



\* Available widths: Choose any width required, within the given width range, to the nearest 10mm.

\*\* Cabinet SKU number: The final SKU number of the cabinet is decided by the requested width. EG: WP059/880

How is this cabinet built? For full details on our cabinet build specification please refer to the [“Key Features Of Our Cabinetry”](#) page.



## 70/30 Split Larder Unit Two Door Design

SKU: WP059A

£995.00

Designed with a fixed internal shelf set at standard worktop height, this 70/30 split larder provides practical segmented storage behind classic Shaker-style doors.

Ideal for tall kitchen layouts where continuity and usability are key.

Left or right hung doors available.

Height (mm)	Depth (mm)	Available widths (mm)*		SKU**	Price (Inc VAT)
		From	To		
2150	600	350	680	WP059A/L	£995.00
2150	600	350	680	WP059A/R	£995.00
Increments 10mm					

\* Available widths: Choose any width required, within the given width range, to the nearest 10mm.

\*\* Cabinet SKU number: The final SKU number of the cabinet is decided by the requested width. EG: WP059A/L/600 or WP059A/R/600

How is this cabinet built? For full details on our cabinet build specification please refer to the ["Key Features Of Our Cabinetry"](#) page.





## Traditional Single Door Larder with Internal Drawers & Spice Rack

SKU: WP061S

£1150.00

A beautifully detailed single-door larder unit designed for compact spaces without compromising on functionality.

Featuring three full-width oak drawers beneath a fixed shelf and a solid spice rack fitted to the inside of the door.

A charming and practical addition to any kitchen.

Height (mm)	Depth (mm)	Available widths (mm)*		SKU**	Price (Inc VAT)
		From	To		
2150	600	500	680	WP061S	£1150.00
Increments 50mm					

\* Available widths: Choose any width required, within the given width range, to the nearest 10mm.

\*\* Cabinet SKU number: The final SKU number of the cabinet is decided by the requested width. EG: WP061S/650

How is this cabinet built? For full details on our cabinet build specification please refer to the ["Key Features Of Our Cabinetry"](#) page.





## Traditional 2 Door Larder with Internal Drawers & Spice Racks

SKU: WP061/2

£2250.00

A timeless, full-height larder cabinet offering exceptional storage and practical design.

Featuring three full-width oak drawers beneath a fixed internal shelf, with spice racks fitted to both doors for added organisation.

An ideal centrepiece for any Shaker kitchen.

Height (mm)	Depth (mm)	Available widths (mm)*		SKU**	Price (Inc VAT)
		From	To		
2150	600	700	1200	WP061/2	£2250.00
Increments 50mm					

\* Available widths: Choose any width required, within the given width range, to the nearest 10mm.

\*\* Cabinet SKU number: The final SKU number of the cabinet is decided by the requested width. EG: WP061/2/900

How is this cabinet built? For full details on our cabinet build specification please refer to the ["Key Features Of Our Cabinetry"](#) page.





## Single Utility Doors for Free Standing Appliances

**SKU: WP011 and WP011/FH**

Designed to conceal freestanding appliances such as washing machines or tumble dryers, undercounter and full-height utility doors with integrated plinths help maintain a seamless Shaker look across your cabinetry run. Simple, smart and perfectly aligned.

Height (mm)	Depth (mm)*	SKU**	Price (Inc VAT)
880	25	WP011	£145.00
2150	25	WP011/FH	£315.00



\* Available widths: Choose any width required, within the given width range, to the nearest 10mm.

\*\* Cabinet SKU number: The final SKU number of the cabinet is decided by the requested width. EG: WP001HD/370

How is this cabinet built? For full details on our cabinet build specification please refer to the [“Key Features Of Our Cabinetry”](#) page.



## Double Utility Doors for Free Standing Appliances

SKU: WP011/DD and WP011/FH/DD

£205.00 – £475.00

Ideal for concealing wider freestanding appliances such as side-by-side machines or large undercounter units, these double doors maintain the clean, balanced lines of your Shaker cabinetry. Integrated plinths ensure a continuous, built-in look across your kitchen run.

Height (mm)	Depth (mm)	Width	SKU	Price (Inc VAT)
880	25	800	WP011/DD	£205.00
2150	25	800	WP011/DD/FH	£475.00



How is this cabinet built? For full details on our cabinet build specification please refer to the [“Key Features Of Our Cabinetry”](#) page.



## Utility Doors for Integrated Appliances

SKU: WP012, WP014, WP015

£145.00

A flexible door panel designed to conceal built-in appliances behind a matching Shaker front. Available in three styles: standard for dishwashers, vented for integrated fridge/freezers, or non-vented for washing machines and dryers. A neat, coordinated finish for every appliance.

Height (mm)	Depth (mm)	Width	SKU	Price (Inc VAT)
880	18	450	WP012/450	£145.00
880	18	600	WP012/600	£145.00
880	18	600	WP014	£145.00
880	18	600	WP015	£145.00



### WP012

Dishwasher door top rail, door and plinth supplied separately for fixing to appliance as required.



### WP014

Supplied with vented plinth and suitable for fridge / freezer. Hinged LEFT or RIGHT.



### WP015

Non vented plinth suitable for washing machine, tumble dryer. Hinged LEFT or RIGHT

How is this cabinet built? For full details on our cabinet build specification please refer to the ["Key Features Of Our Cabinetry"](#) page.



## Base Wine Cabinet (with drawer)

SKU: WP017

£350.00

A stylish and practical solution for wine lovers, this 600mm base unit features a cross-shelf design for horizontal bottle storage, keeping your favourites within easy reach. The upper drawer adds extra functionality—ideal for corkscrews, coasters or bar accessories—while the oak interior and framed Shaker style bring elegance and warmth to any kitchen.

Height (mm)	Depth (mm)	Width*	SKU**	Price (Inc VAT)
880	360	600	WP017	£350.00



\* Available widths: Choose any width required, within the given width range, to the nearest 10mm.

\*\* Cabinet SKU number: The final SKU number of the cabinet is decided by the requested width. EG: WP0017/370

How is this cabinet built? For full details on our cabinet build specification please refer to the **"Key Features Of Our Cabinetry"** page.



## Wall mounted 4 or 8 bottle wine racks

SKU: WP039

£285.00

A neat, open-fronted rack designed to store either 4 or 8 bottles, depending on the cabinet width. Ideal for adding a touch of style and function to wall cabinet runs — perfect for wines, oils or decorative bottle storage.

Widths:

200mm (4 bottles)

300mm (8 bottles)

360mm (8 bottles) with centre stile

Height (mm)	Depth (mm)	Width*	SKU**	Price (Inc VAT)
780	380	200	WP039/200	£285.00
780	380	300	WP039/300	£285.00
780	380	360	WP039/360	£285.00



How is this cabinet built? For full details on our cabinet build specification please refer to the [“Key Features Of Our Cabinetry”](#) page.



## Base Cabinet Wine Rack 4 or 8 Bottle

SKU: WP031

£290.00

A stylish base cabinet option available in widths to accommodate either 4 or 8 bottles. With its open-fronted design and crafted oak compartments, it provides a practical and elegant storage solution for wine, oils, or decorative bottles. Perfect for breaking up runs of doors or drawers while adding visual interest and functionality at base level. Widths:

200mm (4 bottles)

300mm (8 bottles) with no centre stile

360mm (8 bottles) with centre stile

Height (mm)	Depth (mm)	Width	SKU	Price (Inc VAT)
880	360	200	WP031/200	£290.00
880	360	300	WP031/300	£290.00
880	360	360	WP031/360	£290.00



How is this cabinet built? For full details on our cabinet build specification please refer to the [“Key Features Of Our Cabinetry”](#) page.



## Full Height 22 Bottle Wine Rack

SKU: WP031/FH

£565.00

A tall and elegant statement piece, this full-height wine rack offers generous storage for up to 22 bottles. Each bottle sits securely in its own individual cubby, creating a striking display that brings both character and function to your kitchen. Designed to integrate seamlessly into your Shaker cabinetry, it's a perfect blend of traditional craftsmanship and everyday practicality.

Height (mm)	Depth (mm)	Width	SKU	Price (Inc VAT)
2150	360	360	WP031/FH	£565.00



How is this cabinet built? For full details on our cabinet build specification please refer to the ["Key Features Of Our Cabinetry"](#) page.



## Open Bookcase

**SKU: WP029**

**£300.00**

A charming and practical addition to any kitchen, this open-fronted bookcase is perfect for cookbooks, ceramics or display pieces. Available in a range of sizes and fitted with a fully adjustable shelf, it offers flexible storage in timeless Shaker style.

Height (mm)	Depth (mm)	Available widths (mm)*		SKU**	Price (Inc VAT)
		From	To		
880	300	300	1200	WP029	£300.00
Increments 10mm					



\* Available widths: Choose any width required, within the given width range, to the nearest 10mm.

\*\* Cabinet SKU number: The final SKU number of the cabinet is decided by the requested width. EG: WP029/460

How is this cabinet built? For full details on our cabinet build specification please refer to the **“Key Features Of Our Cabinetry”** page.



## Full Height Open Bookcase

**SKU: WP029FH**

**£550.00**

Elegant and versatile, this full height open-fronted bookcase adds both character and functionality to your kitchen. Ideal for displaying cookbooks, treasured items or everyday essentials, it features a timeless Shaker design and one fixed shelf and 5 adjustable shelves to suit your storage needs. A perfect way to add height and interest to your cabinetry layout.

Height (mm)	Depth (mm)	Available widths (mm)*		SKU**	Price (Inc VAT)
		From	To		
2150	300	300	1000	WP029FH	£550.00
Increments 10mm					



\* Available widths: Choose any width required, within the given width range, to the nearest 10mm.

\*\* Cabinet SKU number: The final SKU number of the cabinet is decided by the requested width. EG: WP029FH/660

How is this cabinet built? For full details on our cabinet build specification please refer to the **"Key Features Of Our Cabinetry"** page.



## Single (Glazed) Wall Cabinet

**SKU: WP035**

**£250.00**

This wall-mounted unit features a glazed Shaker door — ideal for displaying glassware, crockery, or curated kitchen items. Fitted with adjustable shelves and available in a range of widths, it brings both storage and a light, open feel to your kitchen design.

Height (mm)	Depth (mm)	Available widths (mm)*		SKU**	Price (Inc VAT)
		From	To		
780	380	300	680	WP035	£250.00
Increments 10mm					



\* Available widths: Choose any width required, within the given width range, to the nearest 10mm.

\*\* Cabinet SKU number: The final SKU number of the cabinet is decided by the requested width. EG: WP035/510

How is this cabinet built? For full details on our cabinet build specification please refer to the [“Key Features Of Our Cabinetry”](#) page.



## Single (Glazed) door dresser top

**SKU: WP035A**

**£370.00**

A taller glazed unit designed to sit directly on a worktop, perfect for showcasing tableware or creating a feature cabinet run. Supplied with a fixed shelf 450mm from worktop and two adjustable shelves, a traditional Shaker-style glazed door, this dresser top adds both character and practicality to any kitchen. Left or Right Hinged

Height (mm)	Depth (mm)	Available widths (mm)*		SKU**	Price (Inc VAT)
		From	To		
1240	380	300	680	WP035A	£370.00
Increments 10mm					



\* Available widths: Choose any width required, within the given width range, to the nearest 10mm.

\*\* Cabinet SKU number: The final SKU number of the cabinet is decided by the requested width. EG: WP035A/480

How is this cabinet built? For full details on our cabinet build specification please refer to the **"Key Features Of Our Cabinetry"** page.



## Double door (glazed) wall cabinet

**SKU: WP037**

**£435.00**

This elegant wall unit features twin glazed Shaker doors — ideal for displaying glassware, crockery or statement pieces. With two adjustable shelves and a choice of widths, it offers style and storage in equal measure.

Height (mm)	Depth (mm)	Available widths (mm)*		SKU**	Price (Inc VAT)
		From	To		
780	380	700	1200	WP037	£435.00
Increments 10mm					



\* Available widths: Choose any width required, within the given width range, to the nearest 10mm.

\*\* Cabinet SKU number: The final SKU number of the cabinet is decided by the requested width. EG: WP037/850

How is this cabinet built? For full details on our cabinet build specification please refer to the [“Key Features Of Our Cabinetry”](#) page.



## Open shelf wall cabinet

**SKU: WP038**

**£285.00**

A flexible open-fronted unit ideal for cookbooks, everyday items, or decorative display. Supplied with two adjustable shelves, this cabinet adds both function and a relaxed, lived-in feel to your kitchen layout.

Height (mm)	Depth (mm)	Available widths (mm)*		SKU**	Price (Inc VAT)
		From	To		
780	380	300	1000	WP038	£285.00
Increments 10mm					



\* Available widths: Choose any width required, within the given width range, to the nearest 10mm.

\*\* Cabinet SKU number: The final SKU number of the cabinet is decided by the requested width. EG: WP038/730

How is this cabinet built? For full details on our cabinet build specification please refer to the [“Key Features Of Our Cabinetry”](#) page.



## Open Shelf Dresser Top

**SKU: WP046**

**£360.00**

A classic open-fronted dresser unit, perfect for adding character, texture, and practical storage to any kitchen design. Supplied with a fixed shelf 450mm from worktop, and two adjustable shelves, it is designed to sit on a worktop or base unit, this piece works beautifully for crockery, glassware, or display items.

Height (mm)	Depth (mm)	Available widths (mm)*		SKU**	Price (Inc VAT)
		From	To		
1240	380	400	1200	WP046	£360.00
Increments 10mm					



\* Available widths: Choose any width required, within the given width range, to the nearest 10mm.

\*\* Cabinet SKU number: The final SKU number of the cabinet is decided by the requested width. EG: WP046/910

How is this cabinet built? For full details on our cabinet build specification please refer to the [“Key Features Of Our Cabinetry”](#) page.



## Double Door Dresser Top Glazed (full height)

SKU: WP048 & WP048BI

£500.00 £550.00 with Bi Fold Doors

A taller wall cabinet with elegant glazed Shaker doors, ideal for displaying glassware or creating a traditional dresser look. Supplied with a fixed shelf 450mm above the worktop and two adjustable shelves, this piece brings both storage and sophistication to your kitchen design.

Height (mm)	Depth (mm)	Available widths (mm)*		SKU**	Price (Inc VAT)
		From	To		
1240	380	700	1200	WP048	£500.00
1240	380	700	1200	WP048BI	£550.00
Increments 10mm					



\* Available widths: Choose any width required, within the given width range, to the nearest 10mm.

\*\* Cabinet SKU number: The final SKU number of the cabinet is decided by the requested width. EG: WP048/880 or WP048/BI/880

How is this cabinet built? For full details on our cabinet build specification please refer to the ["Key Features Of Our Cabinetry"](#) page.



## Single Door Dresser Top (to sit on worktop)

SKU: WP034A

£370.00

A charming and practical addition to any kitchen, this open-fronted bookcase is perfect for cookbooks, ceramics or display pieces. Available in a range of sizes and fitted with a fully adjustable shelf, it offers flexible storage in timeless Shaker style.

Height (mm)	Depth (mm)	Available widths (mm)*		SKU**	Price (Inc VAT)
		From	To		
1240	380	300	680	WP034A	£370.00
Increments 10mm					

\* Available widths: Choose any width required, within the given width range, to the nearest 10mm.

\*\* Cabinet SKU number: The final SKU number of the cabinet is decided by the requested width. EG: WP001HD/370

How is this cabinet built? For full details on our cabinet build specification please refer to the ["Key Features Of Our Cabinetry"](#) page.





## Single (Glazed) door dresser top

SKU: WP035A

£370.00

A taller glazed unit designed to sit directly on a worktop, perfect for showcasing tableware or creating a feature cabinet run. Supplied with a fixed shelf 450mm from worktop and two adjustable shelves, a traditional Shaker-style glazed door, this dresser top adds both character and practicality to any kitchen. Left or Right Hinged

Height (mm)	Depth (mm)	Available widths (mm)*		SKU**	Price (Inc VAT)
		From	To		
1240	380	300	680	WP035A	£370.00
Increments 10mm					

\* Available widths: Choose any width required, within the given width range, to the nearest 10mm.

\*\* Cabinet SKU number: The final SKU number of the cabinet is decided by the requested width. EG: WP035A/480





## Open Shelf Dresser Top

**SKU: WP046**

**£360.00**

A classic open-fronted dresser unit, perfect for adding character, texture, and practical storage to any kitchen design. Supplied with a fixed shelf 450mm from worktop, and two adjustable shelves, it is designed to sit on a worktop or base unit, this piece works beautifully for crockery, glassware, or display items.

Height (mm)	Depth (mm)	Available widths (mm)*		SKU**	Price (Inc VAT)
		From	To		
1240	380	400	1200	WP046	£360.00
Increments 10mm					



\* Available widths: Choose any width required, within the given width range, to the nearest 10mm.

\*\* Cabinet SKU number: The final SKU number of the cabinet is decided by the requested width. EG: WP046/910

How is this cabinet built? For full details on our cabinet build specification please refer to the [“Key Features Of Our Cabinetry”](#) page.



## Double Door Dresser Top (full height)

SKU: WP047 & WP047BI

£500.00 £550.00 with Bi Fold Doors

A full-height wall cabinet offering generous upright storage behind classic double Shaker doors. With a fixed shelf 450mm from the worktop, 2 adjustable shelves and a taller profile, it's ideal for adding vertical storage to dresser runs or larder-style layouts.

Height (mm)	Depth (mm)	Available widths (mm)*		SKU**	Price (Inc VAT)
		From	To		
1240	380	700	1200	WP047	£500.00
1240	380	700	1200	WP047BI	£550.00
Increments 10mm					



\* Available widths: Choose any width required, within the given width range, to the nearest 10mm.

\*\* Cabinet SKU number: The final SKU number of the cabinet is decided by the requested width. EG: WP047/1050 or WP047/BI/1050

How is this cabinet built? For full details on our cabinet build specification please refer to the ["Key Features Of Our Cabinetry"](#) page.



## Double Door Dresser Top Glazed (full height)

SKU: WP048 & WP048BI

£500.00 £550.00 with Bi Fold Doors

A taller wall cabinet with elegant glazed Shaker doors, ideal for displaying glassware or creating a traditional dresser look. Supplied with a fixed shelf 450mm above the worktop and two adjustable shelves, this piece brings both storage and sophistication to your kitchen design.

Height (mm)	Depth (mm)	Available widths (mm)*		SKU**	Price (Inc VAT)
		From	To		
1240	380	700	1200	WP048	£500.00
1240	380	700	1200	WP048BI	£550.00
Increments 10mm					



\* Available widths: Choose any width required, within the given width range, to the nearest 10mm.

\*\* Cabinet SKU number: The final SKU number of the cabinet is decided by the requested width. EG: WP048/880 or WP048/BI/880

How is this cabinet built? For full details on our cabinet build specification please refer to the [“Key Features Of Our Cabinetry”](#) page.



## Cutlery and Utensil Drawer Inserts

**SKU: WP0/CL and WP0/UT**

**£60.00**

Crafted from oak-veneered board to perfectly complement our drawer interiors, these inserts are a practical and elegant solution for keeping kitchen drawers organised. The cutlery insert features slender sections ideal for knives, forks, and spoons, while the utensil insert includes wider compartments for bulkier kitchen tools. Designed to fit seamlessly into our internal drawers, they offer both order and accessibility in everyday use.



Utensil Insert SKU: WP0/UT



Cutlery Insert SKU: WP0/CL



## Tray and Chopping Board Storage Cabinets

SKU: WP030A

£330.00 & £390.00

A beautifully crafted cabinet designed to keep kitchen essentials tidy and close at hand. Featuring solid hardwood inserts, the 150mm version holds one tray and two chopping boards, while the 200mm version accommodates two trays and four boards. A clever use of space that blends seamlessly into your Shaker kitchen.

Height (mm)	Depth (mm)	Width	SKU**	Price (Inc VAT)
880	360	150	WP030A	£330.00
880	360	200	WP030A	£390.00



\*\* Cabinet SKU number: The final SKU number of the cabinet is decided by the requested width. EG: WP030A/200



## Open Tray Storage Cabinet

SKU: WP030

£175.00

A streamlined open-fronted base cabinet designed for maximum flexibility in tight spaces. Whether used for baking trays, wine bottles, cookbooks or everyday essentials, this slim unit provides accessible storage with a clean, unfussy look. Available in 2 widths and finished in our signature Shaker style, it's an elegant solution for narrow gaps.

Height (mm)	Depth (mm)	Width	SKU**	Price (Inc VAT)
880	600	150	WP030/150	£175.00
880	600	200	WP030/250	£175.00



\*\* Cabinet SKU number: The final SKU number of the cabinet is decided by the requested width. EG: WP030/250 or WP030/150



## Solid Oak Shelves

SKU: WP040

£150.00 & £300.00

Stylish open shelving, supplied with traditional decorative painted corbels and available in 1000mm or 2000mm lengths. Each shelf is finished in solid oak and delivered ready to cut down to your required size. A perfect way to add warmth, detail, and useful open storage to your kitchen design.

Height (mm)	Depth (mm)	Width	SKU**	Price (Inc VAT)
30	250	1000	WP040/1000	£150.00
30	250	2000	WP040/2000	£300.00



\*\* Cabinet SKU number: The final SKU number of the cabinet is decided by the requested width. EG: WP030/250 or WP030/150



## End Panels

Available in sizes to suit wall, base, tall, and full-height cabinetry. All panels are 18mm thick and supplied oversized to be scribed on site.

Application	Height (mm)	Depth (mm)	Width (mm)	SKU	Price (Inc VAT)
Wall Cabinet	780	18	400	W/END/W	£40.00
Base Cabinet	880	18	700	W/END/B	£55.00
Tall Cabinet	1240	18	400	W/END/T	£65.00
Full Height	2150	18	700	W/END/FH	£115.00

## Filler Panels

Available in sizes to suit wall, base, tall, and full-height cabinetry. All panels are 18mm thick and supplied 25mm thick filler panels, supplied oversize for scribing. Ideal for closing gaps between cabinets and walls.

Application	Height (mm)	Depth (mm)	Width (mm)	SKU	Price (Inc VAT)
Wall Cabinet	780	25	100	FILL/W	£30.00
Base Cabinet	880	25	100	FILL/B	£30.00
Tall Cabinet	1240	25	100	FILL/T	£50.00
Full Height	2150	25	100	FILL/FH	£65.00



## Box Panels

Used to form strong, clean ends to exposed cabinetry runs, island or peninsular situations.

Application	Height (mm)	Depth (mm)	Width (mm)	SKU	Price (Inc VAT)
Base Cabinet	880	40	650	WBOX/B	£55.00
Full height	2150	40	650	WBOX/FH	£120.00

## Island Panels

Available either as a plain panel or a V Groove panel. All panels are 18mm thick and supplied oversized to be scribed on site.

Application	Height (mm)	Depth (mm)	Width (mm)	SKU	Price (Inc VAT)
Plain Island panel	880	18	950	IPP/950	£65.00
Base Cabinet	880	18	1300	IPP/1300	£90.00
Tall Cabinet	880	18	950	IPV/950	£75.00
Full Height	880	18	1300	IPV/1300	£110.00

Cornice: Cornice is sold "per metre" • £15.00 per metre